



CERAMIC EXPORTS HOUSE

Tiles Exporters

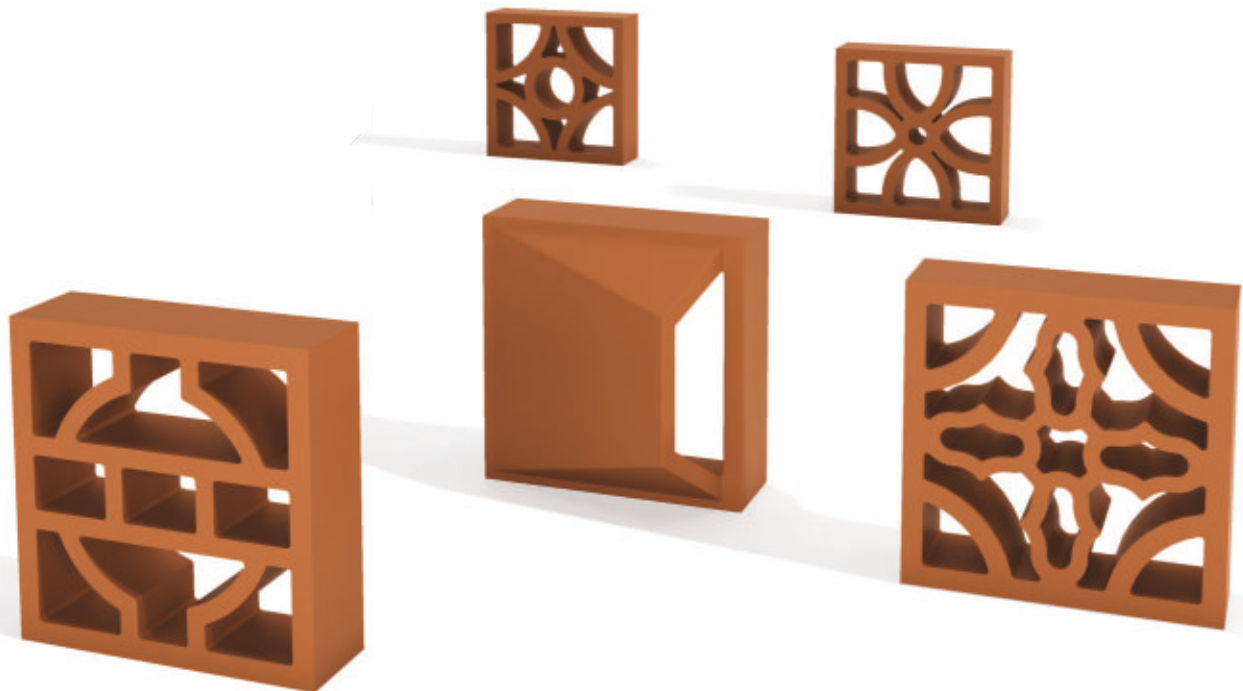
Catalogue-2022



THE GROUP.

Our group is a major reference on the Indian and international markets, operating in accordance with firmly consolidated values such as innovation and quality, and especially the trust it has placed in its extensive human capital, made up of almost 2,000 skilled professionals, and its ongoing concern for its stakeholders.

In just few years of span, we are present in almost 47 countries worldwide, an achievement that is attributable to its unique business model, which forms the foundation for its strong, dynamic corporate strategy.



Natural Red Clay

Clay is an ancient construction material, which has been used as a decorative finish in many types of buildings for thousands of years.

it is composed of 100% natural materials and has many benefits for the health and wellbeing of your family

It is a beautiful material available in many different shapes. This allows you to be very creative when decorating your space.

Clay surfaces are very good for temperature regulation, remaining cool in summer and warm in winter.

They are breathable and excellent at absorbing and eliminating excessive moisture from your home.



Natural Sunlight



Natural Ventilation



Easy Installation



Low Maintenance



Weather Resistance





ASTER

Size : 8 x 8 x 2.5 Inch

//Coverage

0.16 Sq.Mtr/Box | 1.77 Sq.Ft/Box



Natural Sunlight



Natural Ventilation



Easy Installation



Low Maintenance



Weather Resistance





Helmet

Size : 8 x 8 x 2.5 Inch

//Coverage

0.16 Sq.Mtr/Box | 1.77 Sq.Ft/Box



Natural Sunlight



Natural Ventilation



Easy Installation



Low Maintenance



Weather Resistance





Sunflower

Size : 8 x 8 x 2.5 Inch

//Coverage

0.16 Sq.Mtr/Box | 1.77 Sq.Ft/Box



Natural Sunlight



Natural Ventilation



Easy Installation



Low Maintenance



Weather Resistance





LOTUS

Size : 8 x 8 x 2.5 Inch

//Coverage

0.16 Sq.Mtr/Box | 1.77 Sq.Ft/Box



Natural Sunlight



Natural Ventilation



Easy Installation



Low Maintenance



Weather Resistance





DAISY

Size : 8 x 8 x 2.5 Inch

//Coverage

0.16 Sq.Mtr/Box | 1.77 Sq.Ft/Box



Natural Sunlight



Natural Ventilation



Easy Installation



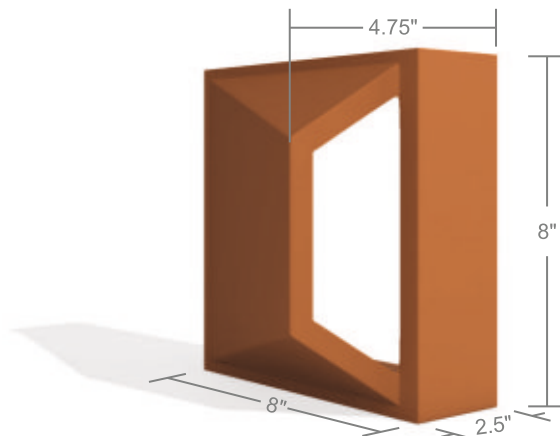
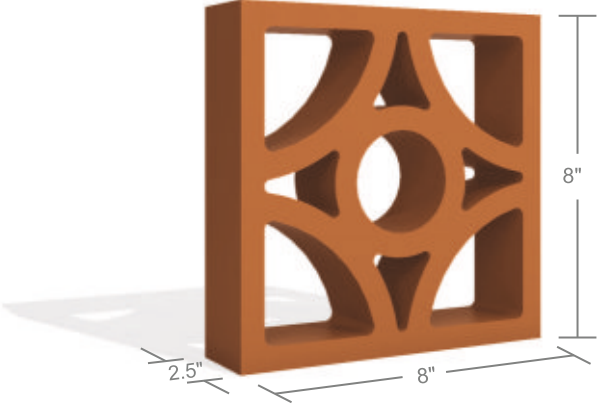
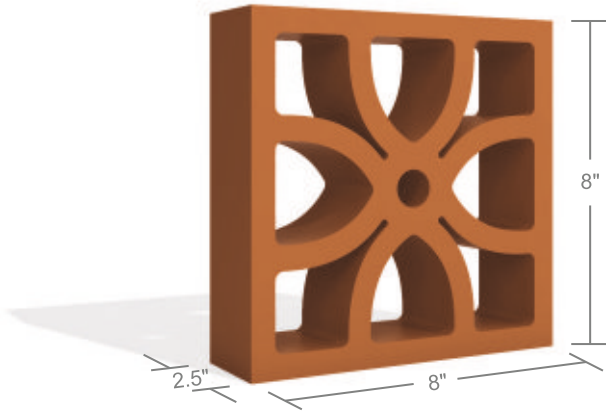
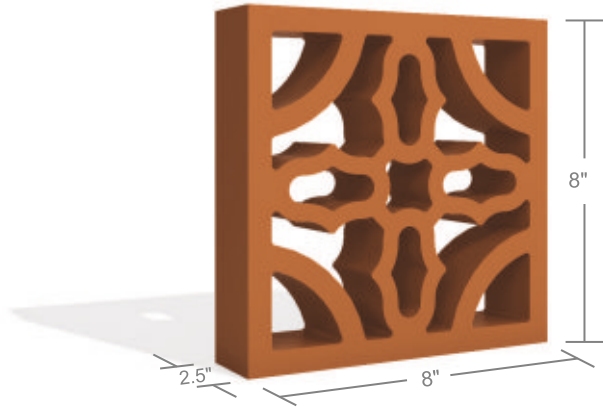
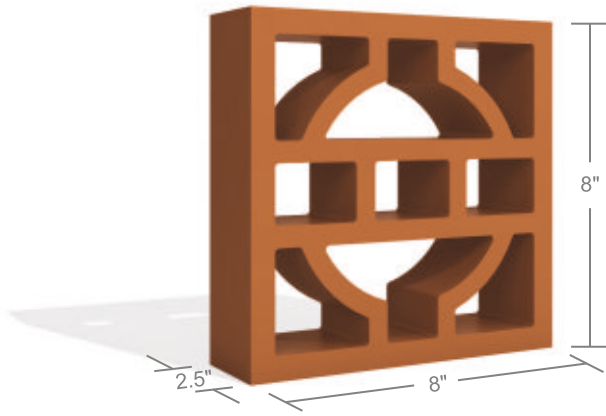
Low Maintenance



Weather Resistance



Technical Specification



PACKING

SIZE	MATERIAL	PACKING Per BOX	WEIGHT Per Pcs.
8" x 8" x 2.5"	Red Clay	4 Pcs.	2.6 kg (Approx)



CERAMIC EXPORTS HOUSE

Tiles Exporters

CeramicExports House

Corporate Ofce:3rd Floor,Ishan CeramicZone,8/A National Highway,Morbi,Gujarat,India-363642. Ph.:+91 97277 88822

Regd Ofce:Vivekanandnagar,Kunj Gali-1,Block no.1,Ravapar Road,Morbi,Gujarat ,INDIA,363641

Mobile :-+919016110174 / +9181280 88809

✉ ceramicexportshouse@gmail.com

🌐 www.ceramicexportshouse.com

📘 facebook.com/ceramicexportshouse

📷 instagram.com/ceramicexportshouse

🐦 twitter.com/ceramicexportshouse,